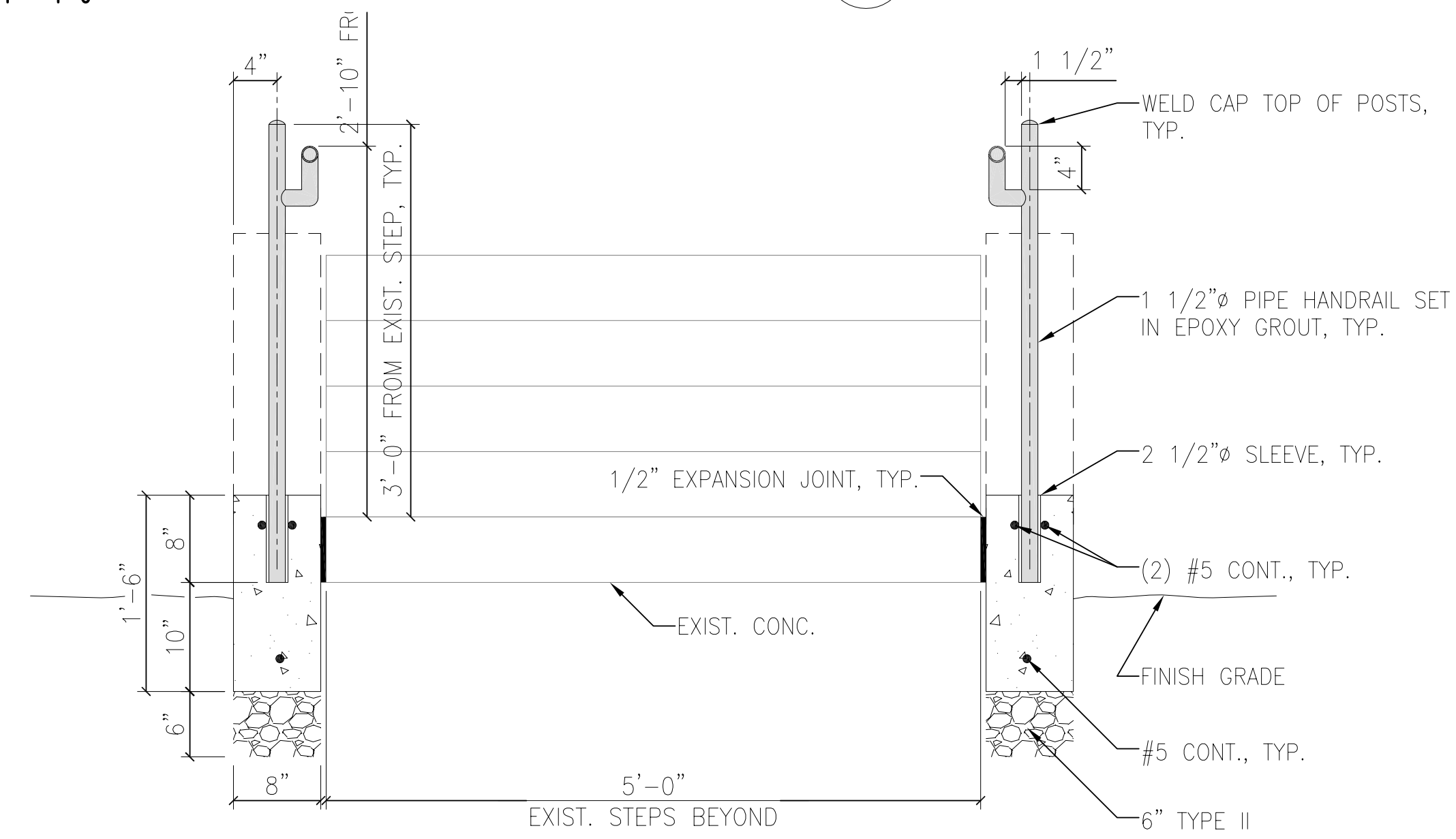


SECTION - TOP POST

1" = 1'-0"

B



SECTION - CENTER POSTS, TYPICAL

1" = 1'-0"

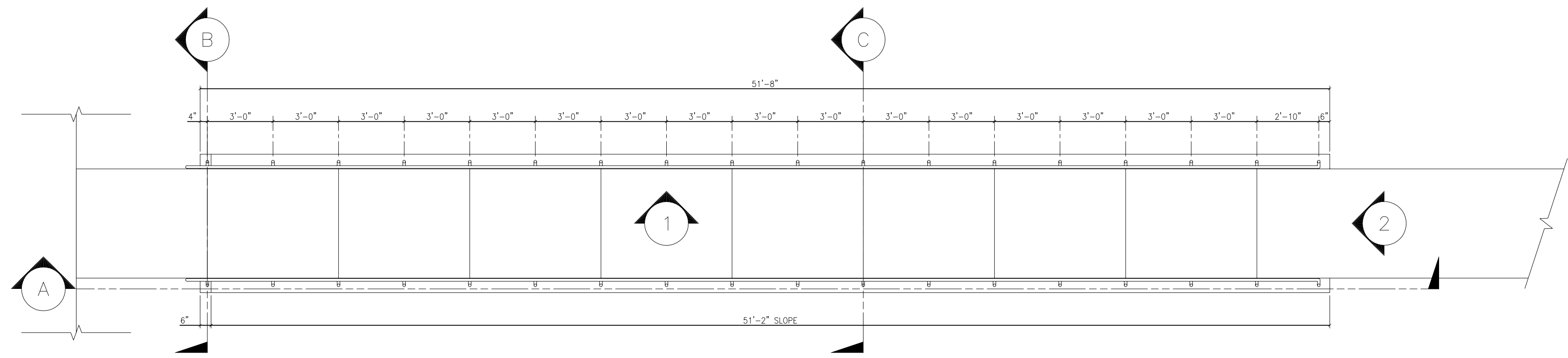
C



SOUTH ELEVATION - BOTTOM POSTS

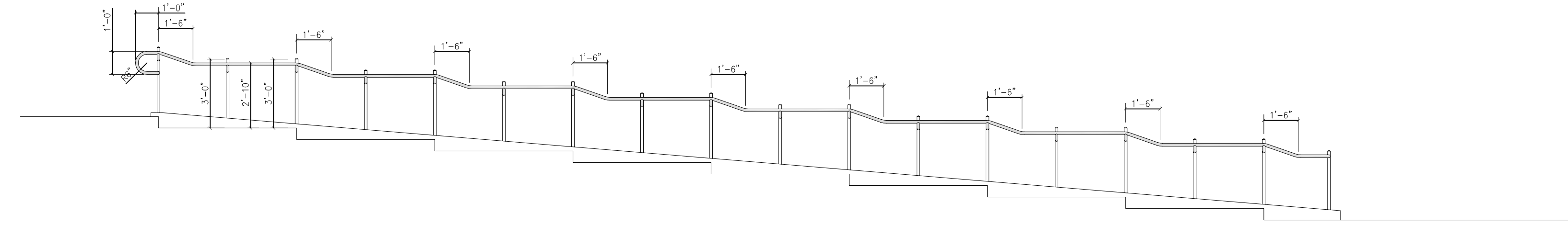
1" = 1'-0"

2



PLAN

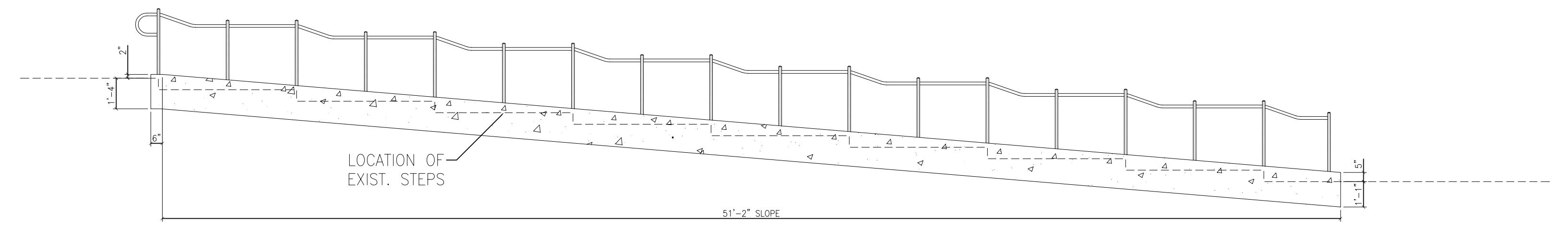
1/4" = 1'-0"



ELEVATION

1/4" = 1'-0"

1



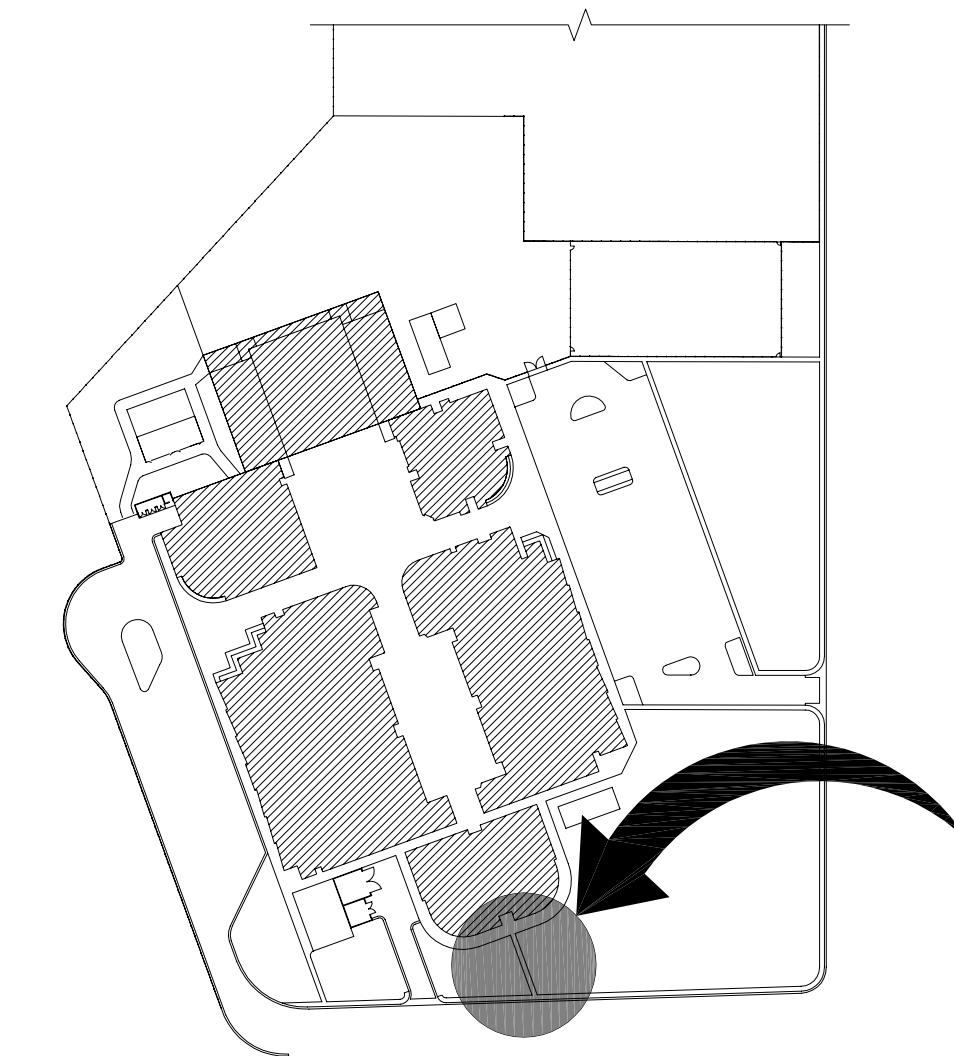
SECTION

1/4" = 1'-0"

A

GENERAL NOTES

- FOR FINISH COLOR OF RAILING, SUBMIT COLOR SAMPLE TO THE OWNER FOR SELECTION AND APPROVAL.



KEY MAP

N.T.S.

PROJECT LOCATION



APPROVED	DATE
ENGINEERING	
DRAFTER	JLE 04/28/03
SPECIALIST	
ARCHITECTURAL	
ELECTRICAL	
MECHANICAL	
ENVL	
COORDINATOR	
REQUIREMENTS	
SITE ADMINISTRATOR	
CODE COMPLIANCE	
AHERA REVIEW	
FSR/FSMR	
PROJECT MANAGER	
SPECIAL PROJECTS	
FINAL	
DRAFTER	
PROJECT NUMBER	93805195
SHEET	1 OF 1
DO NOT SCALE DRAWINGS	